

RS-485 Repeater Module

Specifications subject to change without notice. | USA 200507 | Page 1 of 3



PolyGard® REP5-PS24



DESCRIPTION

Wall-mounted, signal repeater and power booster for field bus continuation of DGC5 and DGC6 Digital Gas Detection Systems, preserving both RS-485 communication and strengthening VDC power along the network. The REP5-PS24 is ideal for large installations where extensive cabling are required.

Note: Requires input power from an external 22-26 VAC or 30-36 VDC source.

APPLICATION

To extend the field trunk/bus cable length of the PolyGard®1 or PolyGard®2 Network. The REP5-PS24 augments the communication lines by another 2,900 feet (900 m). Max. total (7) repeaters (CON5-A RS-485, REP5-PS24 or EP-06-I-100) allowed on the trunk.

FEATURES

- RS-485 communication signal repeater
- 24 VDC power boosting
- Internal current limiting thermal protection, over-voltage and reverse polarity
- NEMA 4X enclosure
- Maintenance-free

SPECIFICATIONS

Electrical

Power supply	
- input VAC	24 VAC (22-26 VAC, max.), isolated Class 2 transformer
- input VDC	30 to 36 VDC
Power consumption	1.5 VA min.; max. determined by load size
Bus Supply	
- output voltage	24 VDC (1.5-26 VDC, adjustable via P1 potentiometer)
- output current	0.605 A, max. @ 77°F (25°C); 0.512 A, max. @ 122°F (50°C)
Overload protection	Internally regulated

Environmental

Permissible ambient	
- working temperature	32°F to 158°F (0°C to 70°C)
- storage temperature	32°F to 122°F (0°C to 50°C)
- humidity	5-95% RH non-condensing

Physical

Enclosure (panel)	
- material	Polycarbonate, UL 94-HB, fire-retardant
- conformity	UL 50 standards
- color	Light gray
- protection	NEMA 4X (IP65)
- installation	Wall (surface) mounted, or single gang electrical box

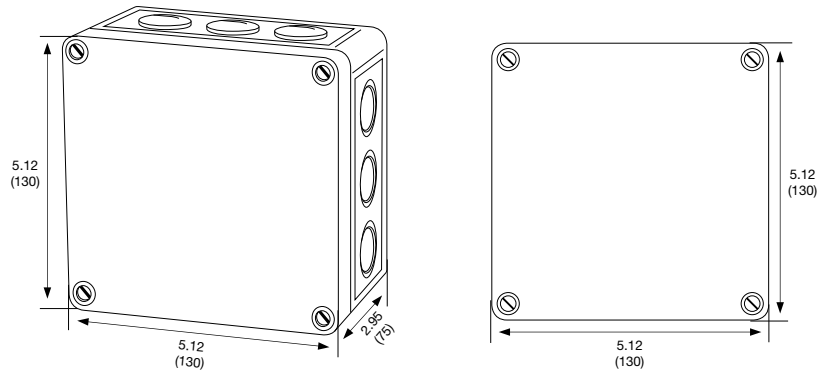
Dimensions (H x W x D)	5.12 x 5.12 x 2.95 in. (130 x 130 x 75 mm)
Cable entry	3 holes for 1/2 in. conduit for wall (surface) mounting, covered. 1 hole on back side of base plate for single gang electrical box mounting
Wire connection	Terminal blocks, Push-on connect and screw type for lead wire
Wire size	
- power supply input	Min. 16 AWG (1.5 mm ²) Max. 14 AWG (2.5 mm ²)
- trunk connection	Min. 20 AWG (0.5 mm ²) Max. 16 AWG (1.5 mm ²)
Weight	0.7 lb (0.3 kg)
Approvals / Listings	
- module "CON5-B"	NRTL Perf. Tested & Certified Conforms to STD ANSI/UL 2017 CE EMC-Compliance 89/336/EWG LVD 73/23/EWG
- enclosure (panel)	UL Listed, E208470 CSA Certified E208470
Warranty	Two years material and workmanship

ORDERING INFORMATION

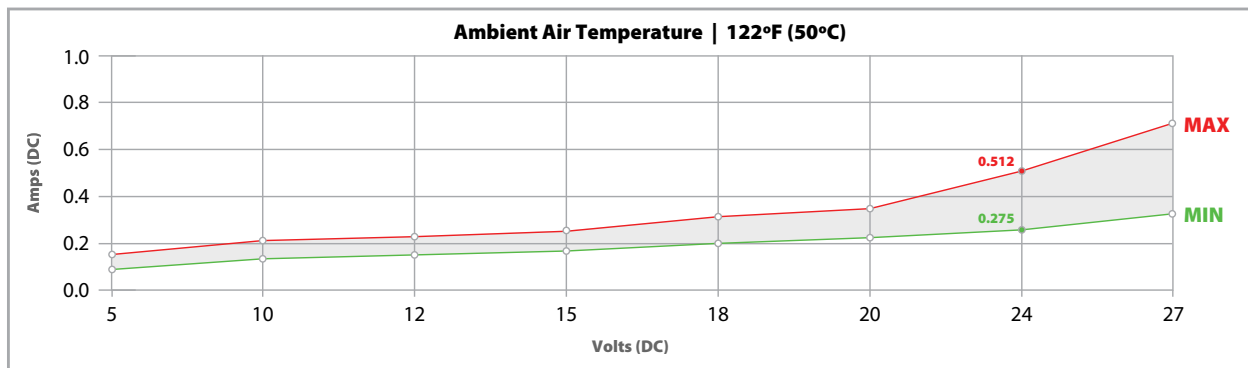
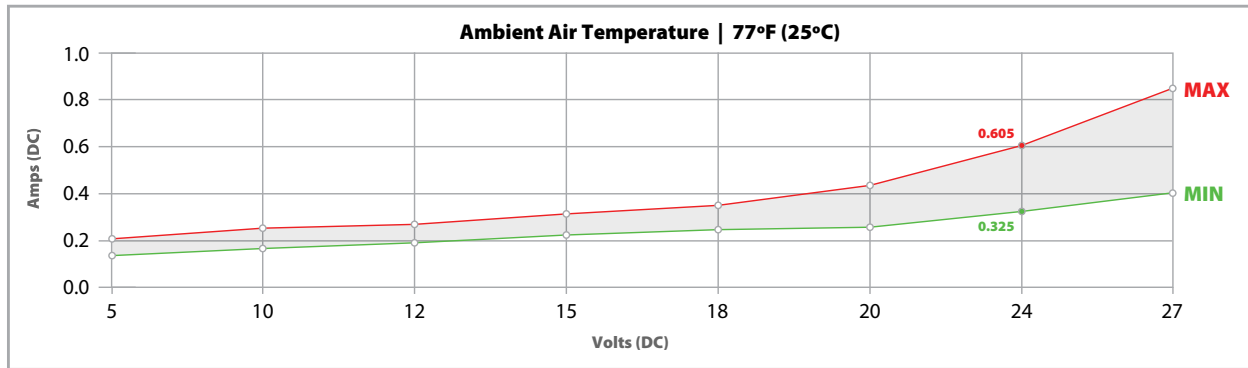
REP5-PS24 RS-485 communication signal repeater and 24 VDC power booster, NEMA 4X enclosure, for PolyGard®1 / PolyGard®2 networks

DIMENSIONS

inches (mm)



MAX OUTPUT CURRENT TABLES



FIELD WIRING CONFIGURATION

