

T-PB SERIES 24VAC POWER SUPPLIES CLASS I & CLASS II

PRODUCT DESCRIPTION

The T-PB series is comprised of UL Listed (-1 suffix units) and UL Recognized Component (-0 suffix units) power supplies which provide 24VAC from a 115VAC @ 1.0A input. Each T-PB series unit includes a green pilot LED which, when illuminated, indicates that the 24VAC output is operational.

A DPDT ON/OFF switch is provided in the 115VAC input. This switch disconnects or connects both the H & N of the input power for the 24VAC output.

A 115VAC @ 5.0A convenience outlet is located on the front panel. This convenience outlet IS NOT controlled by the ON/OFF switch.

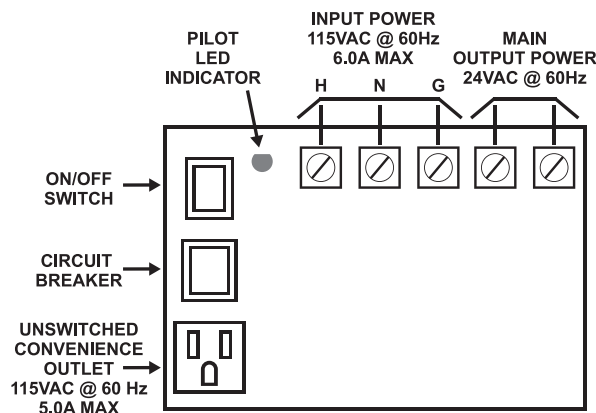
A circuit breaker is incorporated in the 24VAC output which must be manually reset if the rated 4.0A (Class I) or 3.0A (Class II) is exceeded and the breaker operates.



FEATURES

- ❖ Front visible green power-on (pilot) LED indicator
- ❖ ON/OFF power switch
- ❖ Circuit breaker protected output
- ❖ Auxiliary non-fused/non-switched convenience line power outlet
- ❖ 4.0A, 96VA (Class I) and 3.0A, 72VA (Class II) versions available
- ❖ "-0" chassis sub-assembly mount and "-1" full enclosure mounted versions available
- ❖ Front access plate for controls and auxiliary convenience outlet on "-1" versions
- ❖ For continuous duty use

INSTALLATION WIRING & CONTROLS



PRODUCT SPECIFICATIONS

MODEL NUMBERS:	T-PB 202-1	T-PB 202-0	T-PB 303-1	T-PB 303-0
MAIN OUTPUT POWER:	24VAC @ 4.0A		24VAC @ 3.0A	
OUTPUT CAPACITY:	96VA		72VA	
SUPPLY CLASS:	Class I		Class II	
LISTINGS AND APPROVALS:	*QQFU.E160579 UL 1012	*QQFU2.E160579 UL 1012	*QQFU.E160579 UL 1012	*QQFU2.E160579 UL 1012
UNIT CONSTRUCTION:	Full Enclosure	Chassis Only	Full Enclosure	Chassis Only
OVERALL DIMENSIONS: H	6.125" (156mm)	4.75" (121mm)	6.125" (156mm)	4.75" (121mm)
OVERALL DIMENSIONS: W	5.186" (132mm)	5" (127mm)	5.186" (132mm)	5" (127mm)
OVERALL DIMENSIONS: D	4.125" (105mm)	3.125" (80mm)	4.125" (105mm)	3.125" (80mm)
CONDUIT KNOCKOUTS: (1 Top and 1 Bottom)	0.75" (22mm)		0.75" (22mm)	
FRONT ACCESS PLATE: H	4.313" (110mm)		4.313" (110mm)	
FRONT ACCESS PLATE: W	1.5" (38mm)		1.5" (38mm)	
METAL WORK:	16ga CRS (1.5mm) with beige painted finish and black silk-screened markings			
INPUT POWER:	115VAC @ 60Hz			
INPUT CURRENT:	1.0A Max for 24VAC main output power only 6.0A Max total with 5.0A convenience outlet in full use			
CONVENIENCE OUTLET:	Front accessible 115VAC @ 60Hz, 5.0A Max			
MAIN OUTPUT PROTECTION:	Front accessible 4.0A @ 32V manual reset circuit breaker			
MAIN OUTPUT CONTROL:	Front accessible DPDT ON/OFF rocker switch			
POWER ON INDICATOR:	Front visible green LED			
ENVIRONMENTAL:	-13°F to 140°F (-25°C to 60°C) @ 85% RH, Non-condensing			
WIRING:	Solid or stranded; #12 to #22 AWG terminals			

*QQFU = Power Supplies, General Purpose; /2 = Recognized Component